

# Masport®

## OUTDOOR BBQ

### AMBASSADOR - Sink

Part Number

**553045**

Dimensions

Width 830 mm

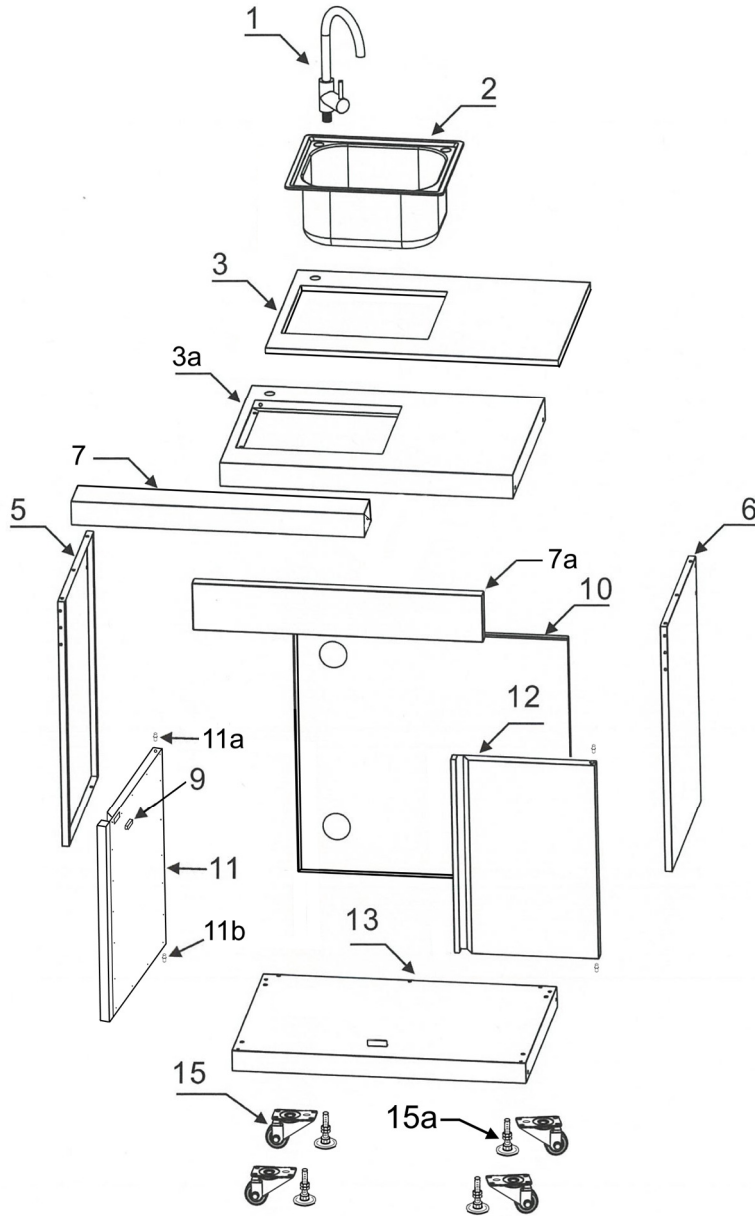
Depth 580 mm

Height 900 mm

Month and Year of Manufacture: July 2018



Issue A.3  
ECN 12668  
Apr 2019 PB  
REF # 753045



Item	Part #	Description	Qty	Item	Part #	Description	Qty
1	<b>546751</b>	Fawcet	1	13	<b>548757</b>	Panel - Base	1
2	<b>548743</b>	Sink, Assembly	1	15	<b>548741</b>	Castor - Locking, With Height Adj	4
3	<b>546156</b>	Stone - Top	1	15a	<b>546307</b>	Foot- Adjustable	4
3a	<b>546164</b>	Panel - Top, Support	1	Not Illustrated			
5	<b>548755</b>	Panel - Side, LH	1		<b>548744</b>	Plug- Sink	1
6	<b>548756</b>	Panel - Side, RH	1		<b>548745</b>	Filter- Drain	1
7	<b>546157</b>	Panel - Fascia, (Stone)	1		<b>549166</b>	Bracket- Connecting, Upper	1
7a	<b>548749</b>	Panel - Fascia	1		<b>546536</b>	Bracket- Connecting, Lower	1
9	<b>549584</b>	Magnet - Door	2		<b>549834</b>	Frame - Base	1
10	<b>548750</b>	Panel - Rear	1				
11	<b>548748</b>	Door Assembly, LH S/S	1				
11a	<b>548765</b>	Hinge - Door, Top	2				
11b	<b>548766</b>	Hinge - Door, Bottom	2				
12	<b>548747</b>	Door Assembly, RH S/S	1				

When ordering spares: PLEASE QUOTE PART NUMBER & Description, NOT illustrated number. Item Qty = 1 per part unless stated differently.  
**BOLD TEXT** = Assemblies. Text starting with \* = items included in the assemblies & may not be available as a spares item.  
 Determine the left hand or right hand sides by standing in the operating position (standing at the handle).