

Masport®

BARBECUE RANGE

SUPER GRANDE-RB/W 210 INBUILT

Part Number 553108

Dimensions	Width	845 mm
	Depth	600 mm
	Height - A	540 mm
	Height - B	330 mm

Market Introduced - August 2019



Deep Dish Included



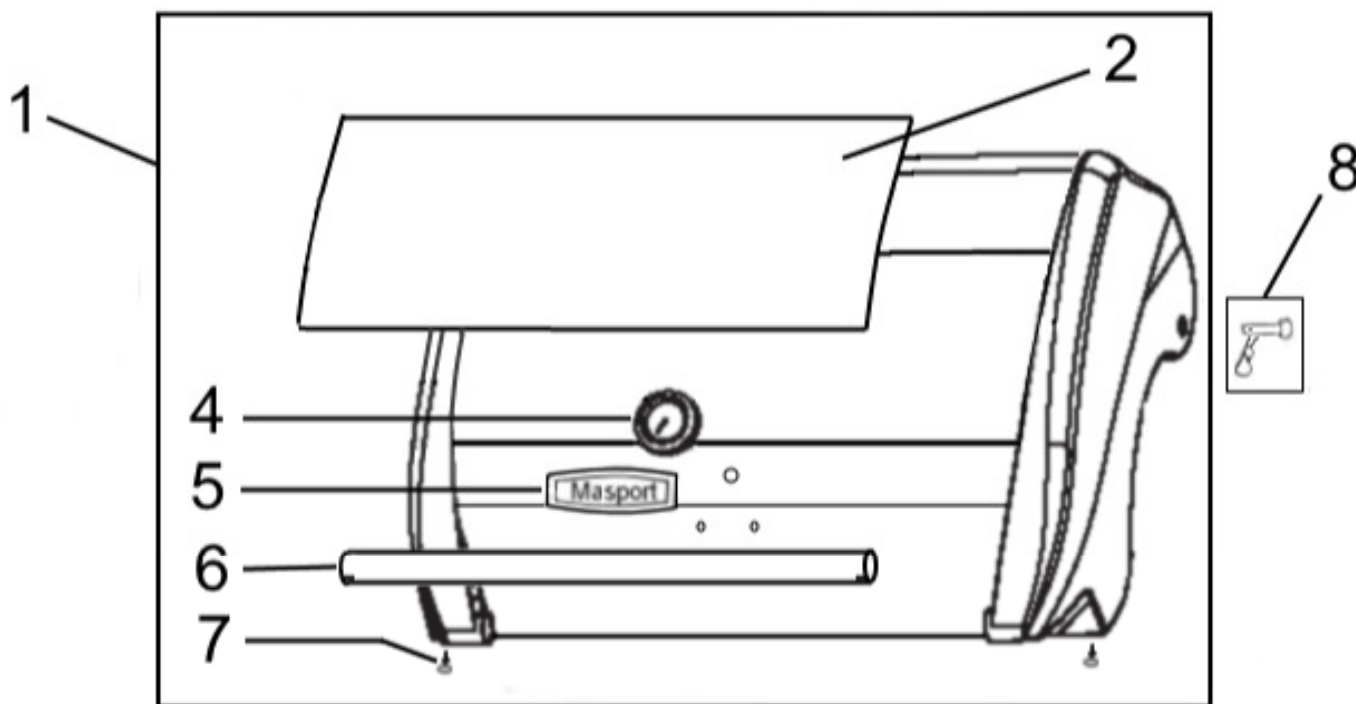
Issue A.0
ECN 12684
July 2019 PB
REF # 753108



**SUPER GRANDE-
RB/W 210
INBUILT**

Masport

Issue A.0
ECN 12684
July 2019 PB
REF # 753108



Item No	Part No	Description	Qty	NOT ILLUSTRATED	
1	548605	Hood Assy, Full/Window, SS/Slvr	1	559672	Deep Dish C/I 385x480x60 Pkg 1
2	548604	*Glass- Window, Hood Slvr/Trm	1	547058	Cover- BBQ 1
4	547640	*Temperature Gauge, 76dia Red/Blk	1	558782	BBQ Cookery Book 1
5	559229	*Badge- MASPORT, Large	1	559714	Owner's Manual Inbuilt 1
6	559371	*Handle- Hood	1	547017	Bolt Pack - IB 1
7	547664	*Rubber Stopper, 15Dia x 6mm	2	Replacement Rego & Hose, note country	
8	559638	Pin- Hinge & "R" Clip	2	559332	Regulator & Hose, POL (Aus) 1
				9154655	Regulator & Hose, QCC (N-Z) 1

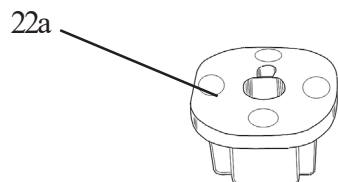
Spares Note 1.

Insert 548705 can be used in knob 548703
Correct rotation is important prior to the assembly.

Insert 559778 can be used in knobs 559565 & 559341
Correct rotation is important prior to the assembly.

22a 548705 *Insert- Knob, 8.0mm Stem 1

22a 559778 *Insert- Knob, 6.3mm Stem 1

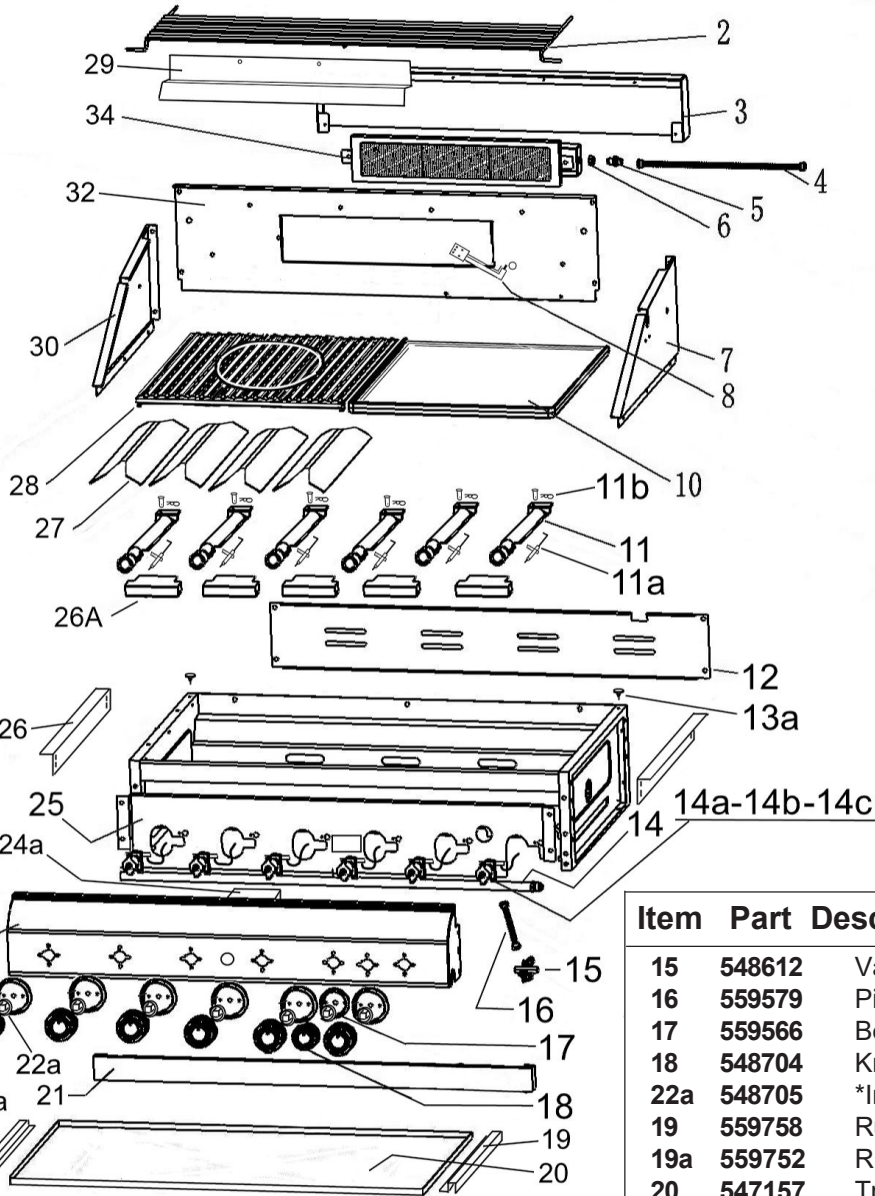




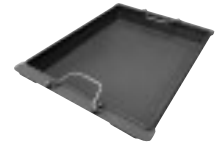
**SUPER GRANDE-
RB/W 210
INBUILT**

Masport

Issue A.0
ECN 12684
July 2019 PB
REF # 753108



Deep Dish
Included



Use only with item 28
(Replaces item 10)

Item	Part	Description	Qty
2	559564	Rack- Warming,RB	1
3	559581	Panel-Cover,R/B SS	1
4	559573	Pipe-Flexible,R/B	1
5	549761	Jet, Rear 0.98mm dia LPG BBQ	1
6	559575	Nut-Jet Retainer, R/B	1
7	559458	Panel- Side, RH Hood G/Body SS	1
8	549835	Ignitor, R/B	1
10	559521	Plate-P/E Gloss 390x485	1
11	759345	Burner-Tube (Two Pack)	3
11a	559289	Electrode, /Ignition M/B	6
11b	559015	Pin & "R" Clip	6
12	559582	Panel- Rear, Vented SS	1
13	547018	Grill Body, Assy P/E IB	1
13a	558826	Rubber Stopper, 9mm dia x 3mm	2
14	548865	Manifold- Assy,(Int) MK2 6+RB	1
14a	548611	*Valve-Main LPG 0.92 x 8mm l/Ign	6
	559779	*Seal- Valve, Silicon	6
14b	549763	*Jet, 6B Main 0.92mm dia	6
14c	547098	Wire-Ignition,Main Burners	6

Item	Part	Description	Qty
15	548612	Valve-Rear, LPG 0.98x8mm E/Ign	1
16	559579	Pipe-Flexible,Front R/B Valve	1
17	559566	Bezel- Control Knob, Sml	1
18	548704	Knob-BBQ,8.0 RB S/Grip Zinc	1
22a	548705	*Insert- Knob, 8.0mm Stem	1
19	559758	Runner-Drip Tray,RH	1
19a	559752	Runner-Drip Tray,LH	1
20	547157	Tray - Drip, SS	1
21	559753	Panel - Front, Grill SS	1
22	548703	Knob- BBQ, 8.0 S/Grip Zinc	6
22a	548705	*Insert- Knob, 8.0mm Stem	6
23	559339	Bezel- Control Knob	6
24	548002	Dashboard BBQ Grande DLX	1
24a	547105	Module-Ignition, RB 210 RB	1
25	559580	Panel- H/shield,Front RB G/Bdy	1
26	559751	Bracket- Mount, Inbuilt	2
26A	559583	Cross Light S/S	5
27	548641	Flame Tamer, 100 x 410 6B SS	4
28	547137	Interchangable Cooking System (Refer to page 5 for contents)	1
29	559570	Deflector-Front, R/B S/S	1
30	559456	Panel- Side, LH Hood G/Body SS	1
32	549837	Panel-Rear, R/BNR G/Body SS	1
34	559508	Burner-Rear	1

NOT ILLUSTRATED

548000	Wire-Ignition, R/B 1255mm	1
--------	---------------------------	---






**SUPER GRANDE-
RB/W 210
INBUILT**

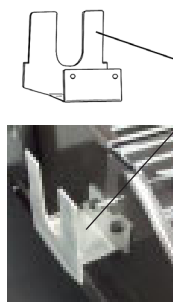
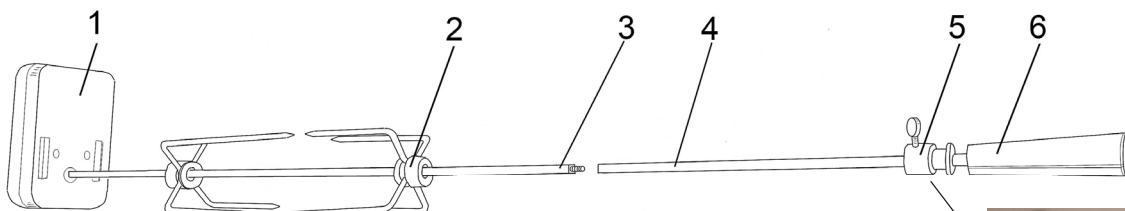
Masport

Issue A.0
ECN 12684
July 2019 PB
REF # 753108

Data Plate 559712.M.4

Name	Model	IAPMO Approval	Injector (mm)	Pressure (kPa)	Inp/Burn (MJ/h)	Total (MJ/h)
SUPER GRANDE IB RBW 210	BG6286BS-WBI-RRB	GMK10178	ULPG: BBQ 0.92 R/B 0.98	2.75	6 x 11.70 1 x 12.70	82.90
			NG: BBQ 1.38 R/B 1.68	1.00	6 x 9.60 1 x 12.70	70.30
DELUXE IB 210	BG6286BS-BI-R	GMK10178	ULPG: BBQ 0.92	2.75	6 x 11.70	76.20
			NG: BBQ 1.38	1.00	6 x 9.60	57.60
ELITE 210 IB/W	BG6284BS-WBI-RRB	GMK10178	ULPG: BBQ 1.10 R/B 0.98	2.75	4 x 17.50 1 x 12.70	82.70
			NG: BBQ 1.60 R/B 1.68	1.00	4 x 13.0 1 x 12.70	64.70
Gas Supply Pressure, ULPG Min: 2.70kPa. Max: 3.45kPa Gas Type: NZ: Universal LPG or NG AUS: ULPG or NG		Gas Supply Pressure, NG 1.13kPa Complied to Standard AS/NZS 5263.1.7		 		
Minimum Clearance : From Top of BBQ: 1000mm, From Sides: 430mm, From Rear : 430mm						
Distributed by MASPORT LIMITED			 Read the instructions before using the appliance USE OUTDOOR ONLY WARNING: Parts of this appliance may be very hot, keep young children away Manufactured by: CHIRANT GROUP			
MASPORT LIMITED 1-37 Mt Wellington Highway, Panmure, Auckland 1060, New Zealand PO Box 14349, Panmure Auckland 1471, New Zealand						
MASPORT AUSTRALIA PTY LIMITED 27 Commercial Drive, Dandenong South, Victoria 3175, Australia PO Box 533, Braeside, Victoria 3195, Australia						
For storage and cylinder exchange, disconnect hose at the cylinder only, do not disconnect hose from the appliance.						

559218 Rotisserie Set 210 Series



1	559239	Motor-Rotisserie	1
2	556297	Prongs (Each)	2
3	559223	Rod Only-Motor Side(550mm)	1
4	559224	Rod Only-Handle Side(400mm)	1
5	559497	Alignment Collar & Screw	1
6	559769	Handle (6mm thread)	1
7	559494	Bracket- Rotisserie	1





**SUPER GRANDE-
RB/W 210
INBUILT**

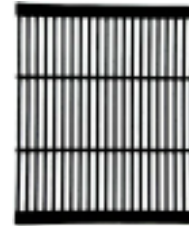
Masport

Issue A.0
ECN 12684
July 2019 PB
REF # 753108

Optional Extras

Cooking Grills

559219	Grill- C/I Powder Coated Black 390 x 485	1
559640	Grill- C/I P/Enamel, Matt Black 390 x 485	1
559520	Grill- C/I P/Enamel GlossBlack 390 x 485	1
559765	Grill- C/I P/Enamel , Matt Black390 x 485 (K/Rack)	1

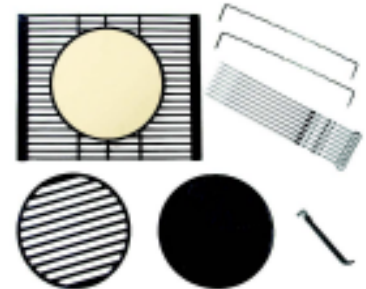


547141	Grill- P/Enamel, Gloss FAD 130 x 485 each (Three are required per set-up) (Kebab Rack ready)	1
---------------	--	----------



547137 Interchangable Cooking System

555231	Kebab Rack (each)	2
547136	Grill- P/E Gloss (390 x 485)	1
559761	Kebab Skewers 7mm x 400mm	8
559762	Pizza Stone 290mm	1
547134	Grill Insert, P/E Gloss Insert dia 290mm	1
547135	Plate Insert P/E Gloss Insert dia 290mm	1
547223	Handle- Grill Insert P/E Gloss	1



Optional Extras Con't

548979 KIT- NG, 210 6 Burner + R/B 2017

547031	Jet, 6B Main 1.38mm dia Natural Gas	6
549760	Jet, Side 1.62mm dia Natural Gas	1
549762	Jet, Rear 1.68mm dia Natural Gas	1
547051	Hose & Regulator- Natural Gas	1