

Masport®

AMBASSADOR GRILL

Part Number		553111
Dimensions	Width	2148 mm
	Depth	600 mm
	Height	1240 mm

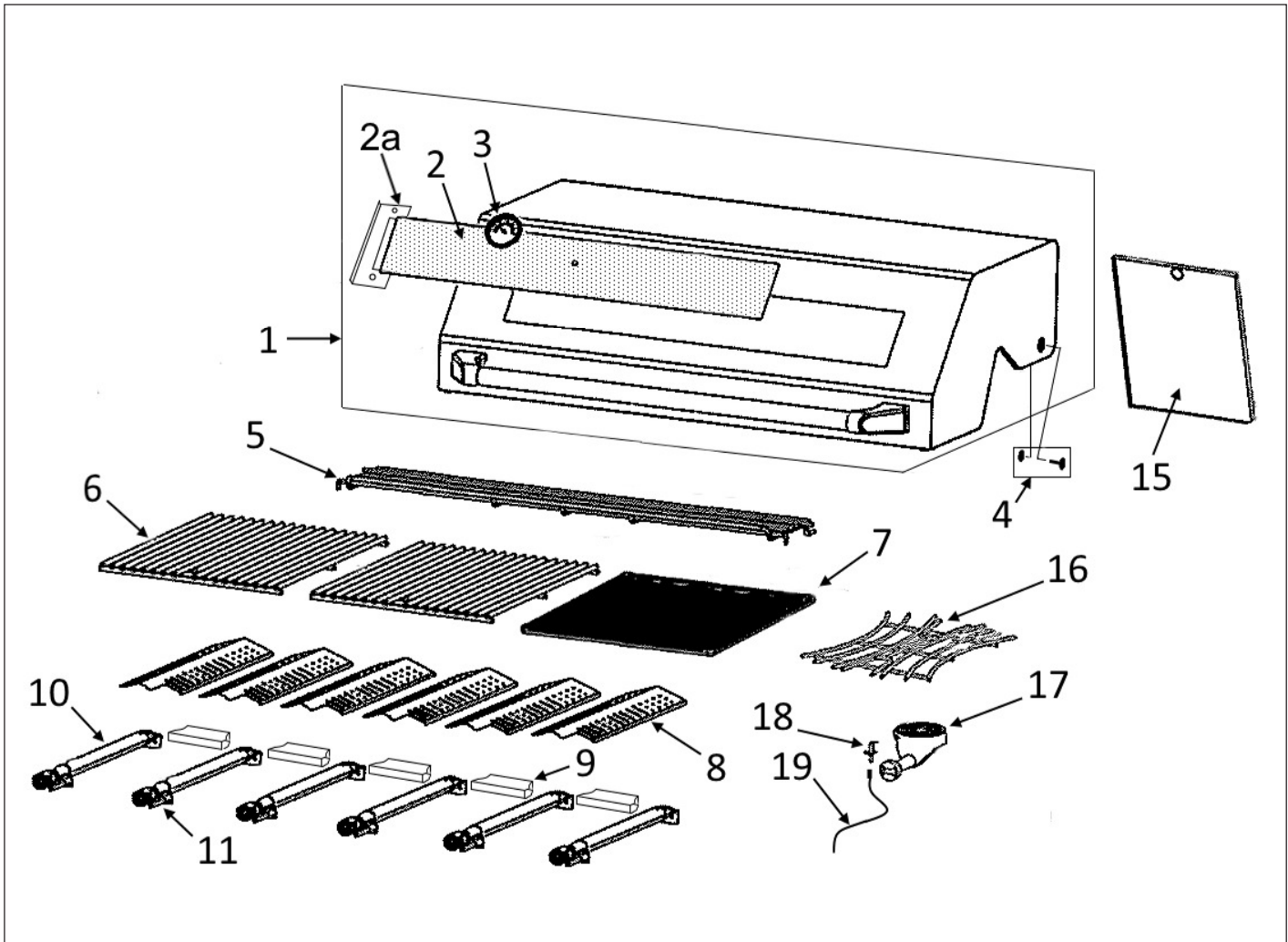
Market Introduced - September 2019



Issue A.1
ECN 12726
Feb 2020 PB
REF # 753111



AMBASSADOR GRILL



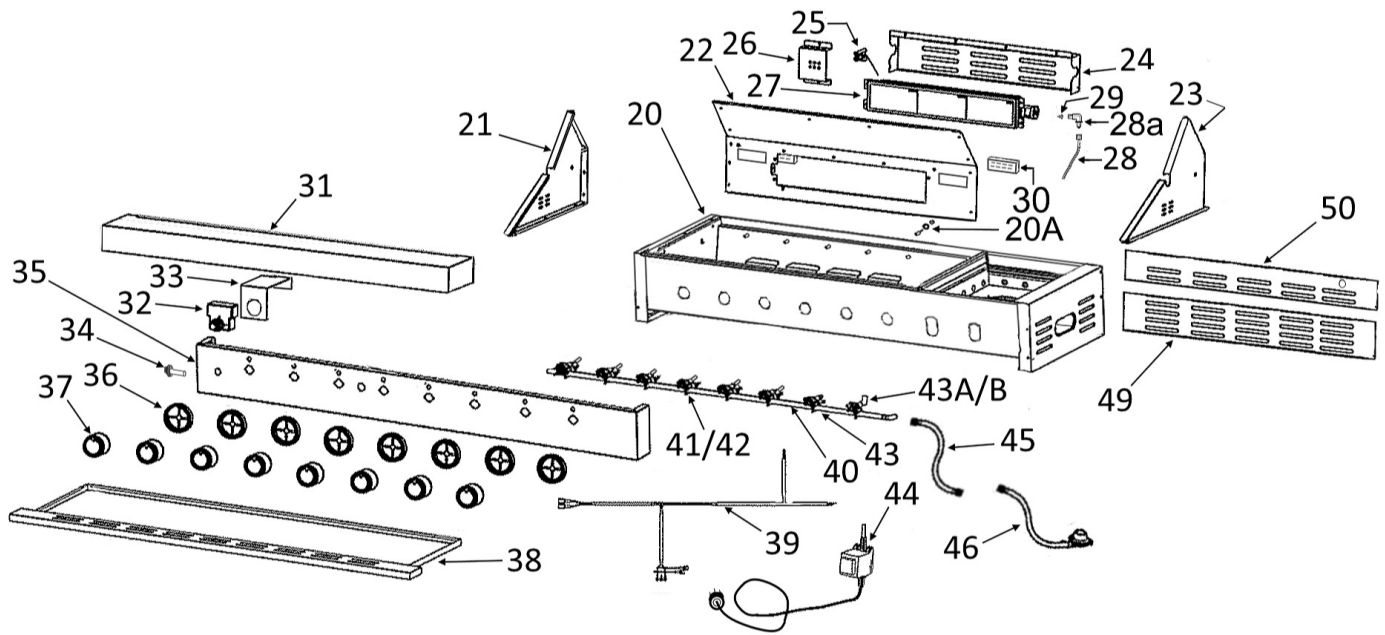
Item No	Part No	Description	Qty	NOT ILLUSTRATED	
1	548295	Hood Assembly, Window	S/S	1	
2	548294	*Glass- Window, Hood		1	
2a	549773	*Bracket- Window, Hood		2	
3	547644	*Gauge- Temp, Dia 68mm	Red/Blk	1	
4	548221	Hood- Bolt & Nut		2	
5	548293	Warming Rack, 985mm x 160mm		1	
6	548219	Grill- 300 x 455	S/S	2	
7	548218	Plate- P/E 350 x 455	Matt	1	
8	548192	Flame- Tamer, 110 x 415 Slot	S/S	6	
9	548213	Cross- Light	S/S	5	
10	548208	Burner- Tube, 435mm x 1.0mm	304SS	6	
11	548228	Electrode, Ignition M/B	Inbuilt	6	
15	548297	Lid- S/Burner	S/S	1	
16	548298	Trivet- Side Burner		1	
17	548301	Burner- Side		1	
18	548224	Electrode- Side Burner		1	
19	548299	Wire- Ignition, Side Burner 985mm		1	
	549588	Cover- BBQ, Kitchen BBQ		1	
	548966	Owner Manual		1	
	548201	Rubber Stopper		2	
	548767	Table- Side, RH/LH Folding		2	
	548886	*Handle- Table, Side Folding		1	
	548312	Rotisserie Set, 6B 1105mm		1	
		(Refer to page 5)			



Masport

AMBASSADOR GRILL

Issue A.1
ECN 12726
Feb 2020 PB
REF # 753111



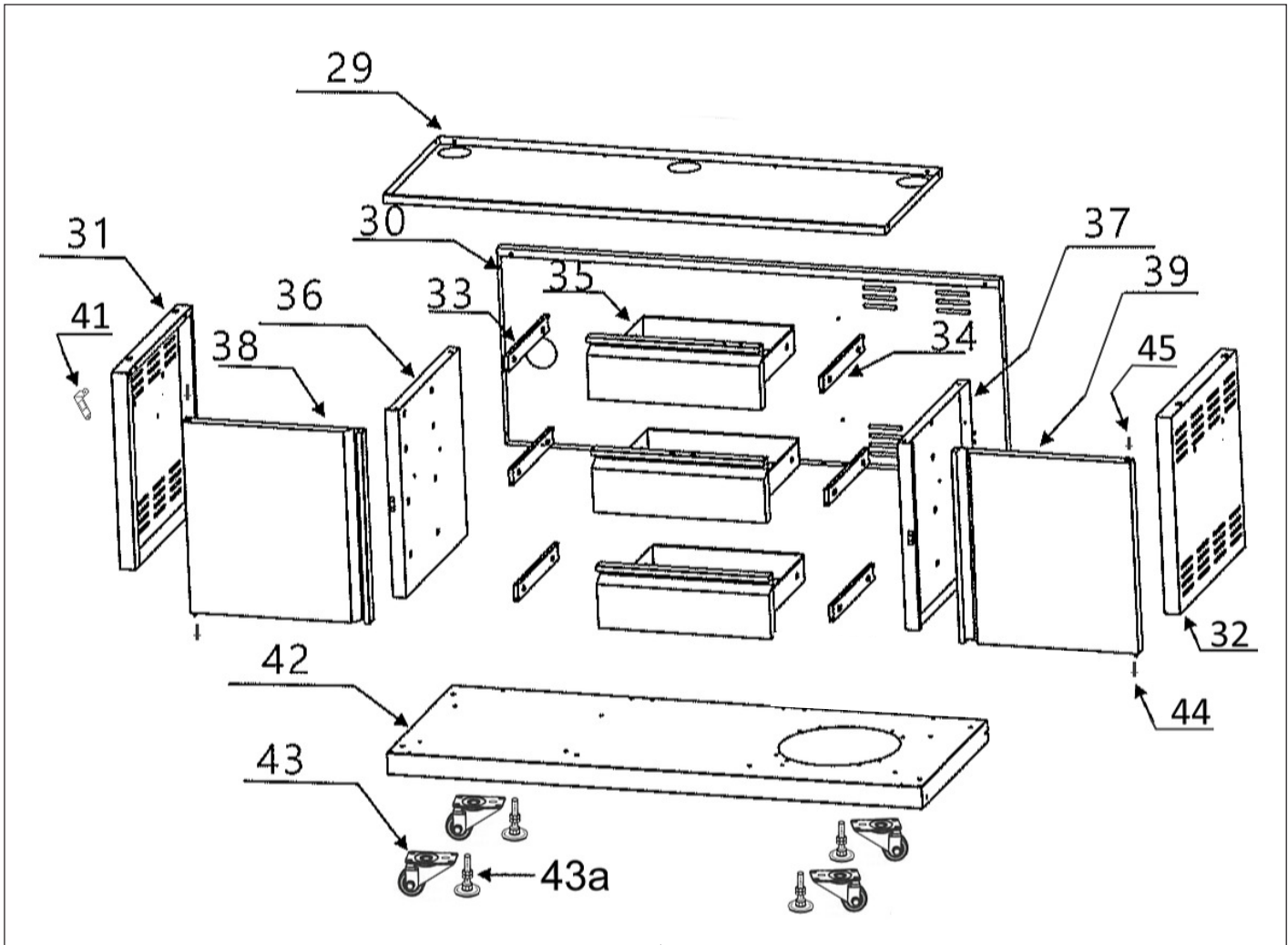
Item No	Part No	Description	Qty	Item No	Part No	Description	Qty
20	548296	Grill- Body, RB+6B SS INB	1	38	548307	Tray- Drip, 146x345 SS Inbuilt	1
20A	546387	Pin, Nut & Washer- Flame Tamer	6	39	548341	Harness- LED Lights, Knobs 8B	1
21	548209	Panel- Side, LH S/S Hood-G/Body	1	40	548300	Manifold Assy (Ele RB) 6+RB	1
22	548230	Panel- Rear, R/Brn S/S G/Body	1	41	548196	*Valve- Main, LPG 0.98mm ELE IGN	6
23	548210	Panel- Side, RH S/S Hood-G/Body	1	42	548225	*Jet, Main 0.98mm dia LPG	6
24	548212	Panel- Rear Cover, R/B S/S	1	43	548202	*Valve- Rear, LPG 0.98mm ELE IGN	1
25	548234	Ignitor- Rear Burner with wire	1	43A	548337	*Valve- Side, LPG 0.98 ELE IGN	1
26	548233	Panel- Ignitor Cover R/Burner S/S	1	43B	548310	*Jet, Side 1.5mm dia LPG	6
27	548197	Burner- Rear	1	44	549593	Transformer AC, LED Lights	1
28	548198	Pipe- Flexible, Rear Burner	1	45	548195	Pipe- Flexible, Manifold	1
28a	546453	Elbow 90deg Ambassador	1	46	546605	Hose & Reg, QCC (N-Z)	1
29	548194	Jet, Rear 0.98mm dia LPG	1	Note , BBQ is supplied with the above Hose & Regulator In Aus use a 559968 for a replacement Hose & Regulator			
30	549589	Light- Hood, Halogen	2	46	559968	Hose & Reg, POL (Aus)	1
	549828	*Bulb- Hood, Halogen	1	49	548231	Panel- Rear, Vented Bottom S/S	1
31	548226	Panel- Front, Grill	1	50	548236	Panel- Rear, Vented Top S/S	1
32	548302	Module- Ignition, 8 Pin	1	NOT ILLUSTRATED			
33	548338	Heatshield-Module	1	548199	Wire- Ignition, RB 1800mm	1	
34	548339	Switch- LED, Knobs	1	548308	Wire- Ignition, MB (set of 6 wires)	1	
35	548964	Dashboard- BBQ 552750	1				
36	548191	Bezel/LED Ctrl Knobs	8				
37	548190	Knob- BBQ 8.1dia S/Grip Chrome	8				



Masport

AMBASSADOR GRILL

Issue A.1
ECN 12726
Feb 2020 PB
REF # 753111



Item No	Part No	Description	Qty	Item No	Part No	Description	Qty
29	548737	Shelf- Cabinet	SS Kitchen 1				
30	548735	Panel- Rear, Trolley	SS Kitchen 1				
31	548732	Panel- Side, LH Trolley	SS Kitchen 1				
32	548733	Panel- Side, RH Trolley	SS Kitchen 1				
33	549591	Slider- Drawer, LH	SS Kitchen 3				
34	549592	Slider- Drawer, RH	SS Kitchen 3				
35	548736	Drawer- Cabinet	SS Kitchen 3				
36	548739	Panel- Side, LH Drawer	SS Kitchen 1				
37	548740	Panel- Side, RH Drawer	SS Kitchen 1				
38	548731	Door Assy, LH	ZP/SS 1				
39	548730	Door Assy, RH	ZP/SS 1				
41	548768	Bottle Opener	1				
42	548734	Panel- Bottom, Trolley	SS Kitchen 1				
43	548741	Castor- Locking, Height Adj	4				
43a	546307	Foot- Adjustable	4				
44	548766	Hinge- Door, Bottom	2				
45	548765	Hinge- Door, Top	2				




DATA PLATE 548965.C.0

Name	Model	AGA Approval	Injector (mm)	Pressure (kPa)	Inp/Burnn (MJ/h)	Total (MJ/h)	
AMBASSADOR	611U	AGA 8138 G	ULPG: BBQ S/B R/B	0.98 0.98 0.98	2.75	6 x 13.00 1 x 12.00 1 x 12.50	102.50
			NG: BBQ S/B R/B	1.50 1.65 1.65		6 x 11.00 1 x 12.00 1 x 13.00	

Gas Supply Pressure, ULPG Min: 2.70kPa; Max: 3.45kPa	Gas Supply Pressure, NG: 1.13KPa	MANUFACTURED BY: ZHONGSHAN SUNCOOK HARDWARE APP, P.R.C
Gas Type: NZ: Universal LPG or NG AUS: ULPG or NG	Complies to: AS/NZS 5263.1.7-2016	

Minimum Clearance : From Top of BBQ: 1500mm, From Sides: 1000mm, From Rear : 1000mm

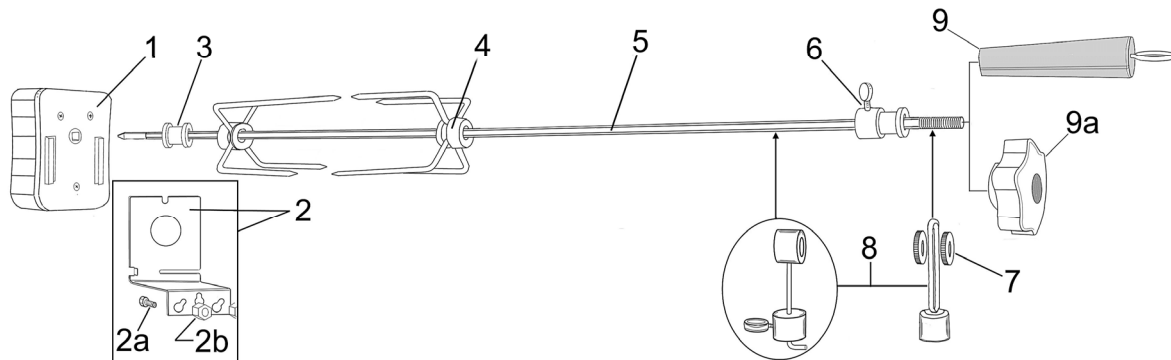
Distributed by MASPORT LIMITED MASPORT LIMITED 1-37 Mt Wellington Highway, Panmure, Auckland 1060, New Zealand PO Box 14349, Panmure, Auckland 1471, New Zealand	 <p>DO NOT REMOVE</p> <p>Read the instructions before using the appliance</p> <p>USE OUTDOOR ONLY</p> <p>WARNING: Parts of this appliance may be very hot, keep young children away</p> <p>548965.C.0</p>
MASPORT AUSTRALIA PTY LIMITED 27 Commercial Drive, Dandenong South Melbourne, Victoria 3175, Australia PO Box 533, Braeside, Victoria 3195, Australia	

For storage and cylinder exchange, disconnect hose at the cylinder only, do not disconnect hose from the appliance.

OPTIONAL NG - CONVERSION KIT

547548 KIT-NG, Inbuilt ELE/IGN Ambassador 1

548312 ROTISSERIE SET - 6B 1105mm (Showing the different combinations of parts)



Item	Part	Description	Qty	Item	Part	Description	Qty
1	559239	Motor- Rotisserie, Black DC	1	4	547003	Prong, (each)	2
(1	559978	Motor-Rotisserie, Black DC H/Shld	1)	5	548442	Rod- Only, Rotisserie 1105mm	1
(1	559977	Motor-Rotisserie, SS AC	1)	6	547005	Collar- Alignment + Screw	1
2	548238	Brkt-Rotisserie	1	7	547007	Washer, Weight	2
2a	559730	*Screw, Pan M6 x 12 Poz	2	8	547006	Weight- Balance	1
2b	503613	*Nut, M6 Hex Stainless	2	9	547008	Handle- Rotisserie Rod	1
3	547002	Collar-Alignment	1	9a	546603	Handle- Rotisserie Knob	1